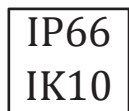
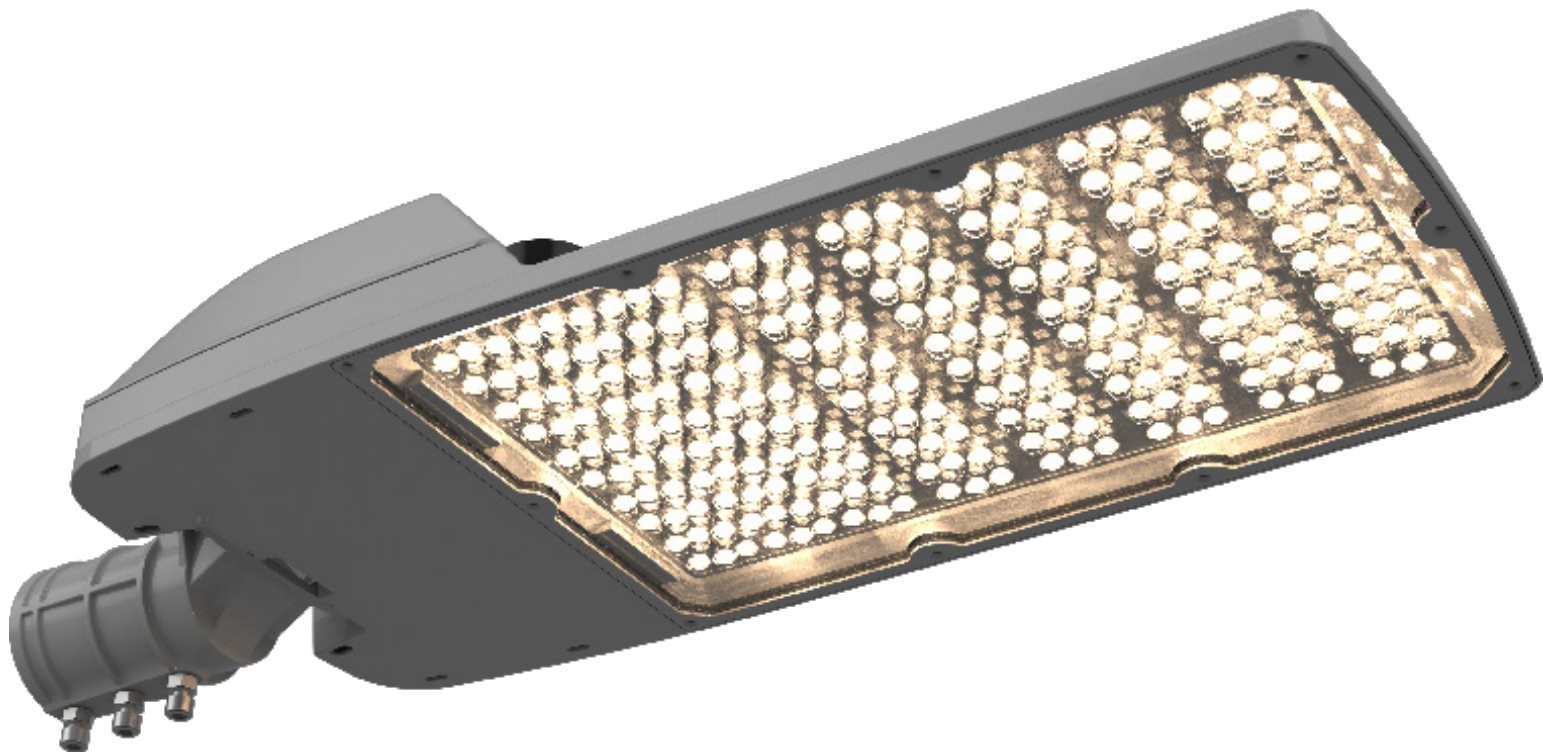


## High-Performance Professional LED street light AL-SLA1 30-420W Rev1.5



ROADS  
& MOTORWAYS



URBAN  
& RESIDENTIAL  
STREETS



BIKE  
& PEDESTRIAN  
PATHS



BRIDGES



CAR PARKS



SQUARES  
& PEDESTRIAN  
AREAS



RAILWAY  
STATIONS  
METROS

## Designed to perform, built to last

The "A1 Series" refers to Aimlux's premium line of professional street lights designed to provide comprehensive functionality and professional performance, with a lifespan of up to 100,000 hours. The excellent heat dissipation capability meets the requirements for operation in environments with temperatures up to 50°C, making it suitable for various government projects and tenders.



## Key advantages

Highly efficient solution, achieving up to 170 lm/W, equipped with Aim Optical System for excellent lighting effects.

Features high-end design and manufacturing processes, ensuring a stylish appearance and excellent heat dissipation. Suitable for operating in temperatures up to 50°C, with a service life of up to 100,000 hours.

Versatile: Utilizes high-quality LED chips, drivers with 0-10V/DALI/programmed options, and surge protection up to 20KV.

Smart Control System: Provides interfaces such as Nema and Zhaga and supports industry-standard smart control systems for remote monitoring and management.

Tool-free access: Simplifies and enhances safety during maintenance.

Top and side fixing, adjustable angle, with installation tube diameter options of Ø40mm-Ø60mm.

## Flexible lighting for a changing world

A1-series is a highly efficient lighting solution offering tailored performance thanks to a wide range of precision options and drive settings.

Available in four sizes, provides a well-dimensioned, efficient lighting solution ranging from various low-height applications such as parks, bicycle paths, or residential streets to main roads, boulevards, and motorways.



### A1-Series Small

Lumen Range: 5,100-13,600lm  
Power Range: 30-80W  
Lens Quantity: 8pcs  
Mounting Height: 4-6m  
Typical Applications:  
Highway / Urban / Residential / Footpaths



### A1-Series Medium

Lumen Range: 17,000-20,400lm  
Power Range: 100-120W  
Lens Quantity: 12pcs  
Mounting Height: 6-8m  
Typical Applications:  
Highway / City / Residential / Footpaths



### A1-Series Large

Lumen Range: 25,500-30,600lm  
Power Range: 150-180W  
Lens Quantity: 24pcs  
Mounting Height: 4-6m  
Typical Applications:  
Highway / City / Residential / Footpaths



### A1-Series Large

Lumen Range: 34,000-47,600lm  
Power Range: 200-280W  
Lens Quantity: 48pcs  
Mounting Height: 10-15m  
Typical Applications:  
Highway / City / Residential / Footpaths

## Free tool

use hand for the opened device, automatic on/off connector when open.

## Smart City Ready

Compatible with the latest lighting control technologies via optional top and bottom sockets, delivering additional energy savings

## Adjustable Tilt

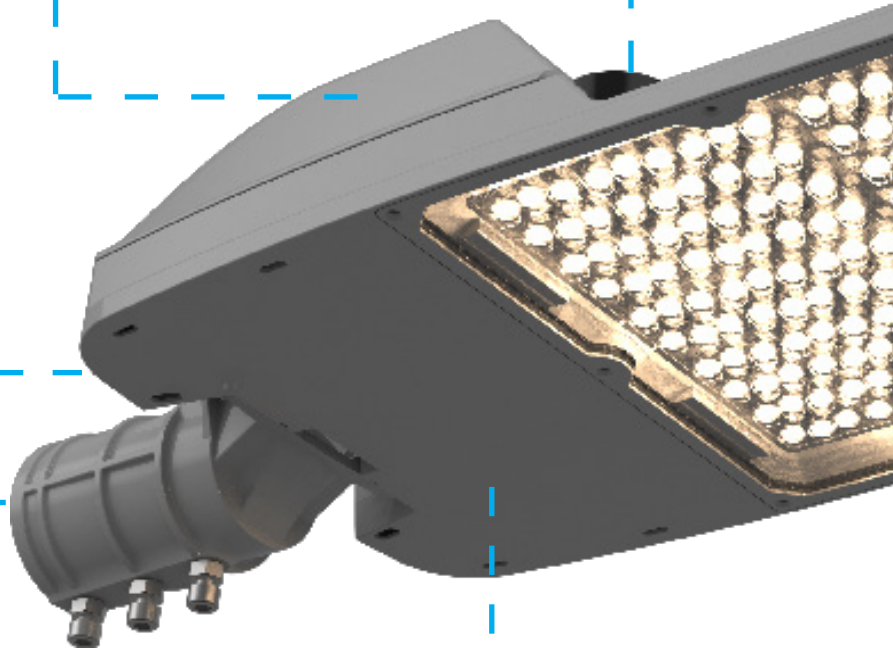
A wide range of tilt adjustments in 2.5° steps allows for fine-tuning during installation

## Easy Installation

Hassle-free installation thanks to Universal Entry. Quickly switch between post top and side entry mountings on-site

## Durable Construction

Manufactured from die-cast LM6 aluminum with a polyester powder coat or marine-grade finish for maximum protection delivering



## Exceptional Performance

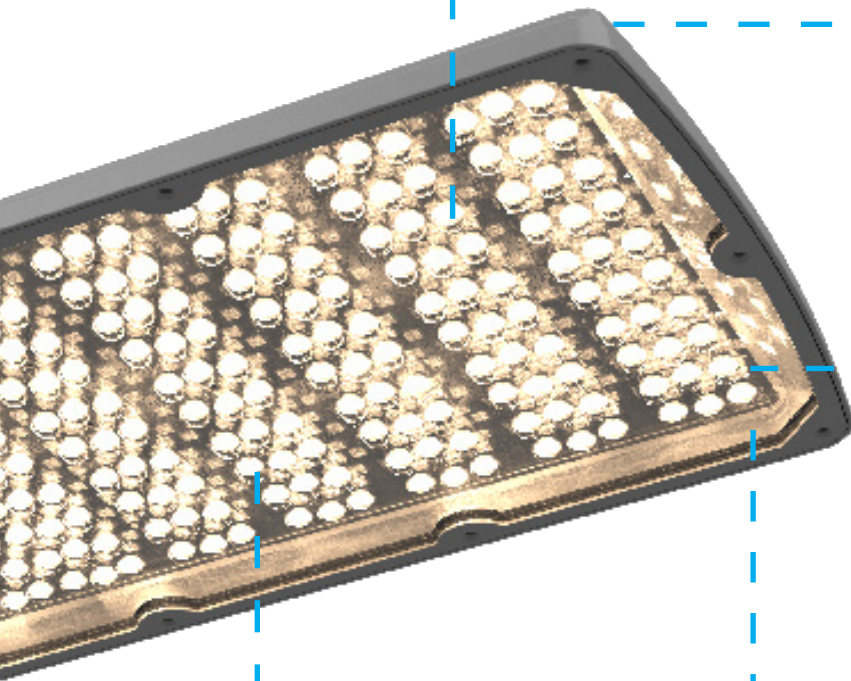
Configurable 3030/5050 LEDs, with luminaire efficacy of up to 170lm/W

## Thermally Optimised

An innovative design and thermal simulation technology provide a thermal barrier between the driver and LED chamber extending the luminaire's operational lifetime

## Flat Glass Glazing

Easy to clean, ultra-clear toughened glass maintains optimal luminaire performance while also offering added protection against impacts and water ingress



## Dedicated Optics

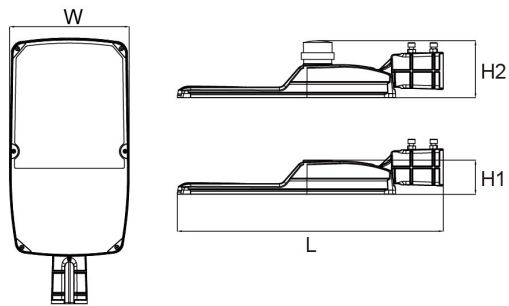
Aimlux is fitted with a wide-selection of optics for precise beam control, supporting a range of street lighting applications

## Dark Sky Friendly

Kirium Pro S has a 0% ULOR (Upward Light Output Ratio) to combat light pollution and minimise sky glow

GENERAL INFORMATION		ELECTRICAL INFORMATION	
Recommended installation height	4m to 15m	Electrical class	I, II
Power Consumption	0 to 420 W (other power options available on request)	Nominal voltage	100-277V AC 50-60Hz
System Efficacy	up to 170 LPW (including PS & Optics)	Surge Protection	10/ 20Kv
Driver	Inventronics	Power Factor	> 0.92, max current THD 15% at 220V
LEDs	Philips 3030/5050	Electromagnetic compatibility (EMC)	EN 55015 / EN 61000-3-2 / EN 61000-3-3/ EN 61547
CE mark	Yes	Control protocol(s)	1-10V, DALI
ENEC certified	Yes	Control options	AmpDim, Bi-power, Custom dimming profile, Photocell, Remote management
ENEC+ certified	Yes	Socket	Zhaga (optional) NEMA 7-pin (optional)
CB certified	Yes	Control system	Optional
Testing standard	EN 60598-1 / IEC TR 62778 EN 62262 / LM 79 / LM 80	Associated	
HOUSING AND FINISH		OPTICAL INFORMATION	
Housing	die-cast aluminum	LED colour temperature	2700K - 5000K
Optic	PMMA	Colour rendering index (CRI)	>70 >80(optional)
Housing finish	Polyester powder coating	OPERATING CONDITIONS	
Standard colour(s)	Grey 900 sanded	Operating temperature range(Ta)	-40°C up to +50°C
Tightness level	IP66	LIFETIME OF THE LEDS @ Ta 50°C	
Impact resistance	IK10	Lumen Maintenance	TM21 based on ISTMT and LM80 L90 > 60,000 hours L70 > 140,000 hours
Vibration test Compliant	with ANSI C 136-31 standard, 3G load Compliant with modified IEC 68-2-6 (0.5G)		

# A1-series street light



Model	Product Dimensions (mm)	Carton Size (mm)	N.G (Kg)	W.G (Kg)	20GP (CTNS)	40HQ (CTNS)
AL-SLA1-30-80W	593*228*98(H1) 593*228*133(H2)	595*280*200	5.8	6.3		
AL-SLA1-100-120W	590*228*98(H1) 590*228*150(H2)	670*300*450 (2Units)	6.3	11.9		
AL-SLA1-150-180W	725*289*108(H1) 725*289*160(H2)	800*365*250	8.2	9.3		
AL-SLA1-200-280W	862*344*108(H1) 862*344*160(H2)	945*420*280	11.4	12.6		

## Multiple Light Distribution Options-Aim Optics System

Aimlux has established Aim Optics System with leading optic suppliers, provide hundreds of types of optics lenses for each product. We also provide customized optics to meet specific project requirements.

Street lights fit with a wide range of applications, such as highways, expressways, roadways, avenues, walking paths, or parking lot lighting. Considering this, Aimlux provides different light distribution lenses for the A1 series street light to achieve the best lighting effect in different applications.

In terms of structure, it can be arranged according to the size of each lamp, such as 50mmx50mm, 2X2 combination or 2X6, 3X8 and other combinations suitable for different sizes of LEDs, such as 5050, 3535, 3030, etc. from different brands, lumens, CREE, Samsung, Japan Asia, etc.

Send us your road optics inquiries, and tailored solutions to enhance the success of your lighting projects.

